

AREA 31- MISSOURI AREA ASSEMBLY ORIENTATION

Prepared and Presented
Sue K-Panel 57 Alternate Delegate

1. AREA ASSEMBLY-BUSINESS MEETING FOR AREA

A. Area Assembly

- An Assembly Area is a state, province, or territory represented at our World Service Conference by a Delegate. Some states and provinces that are populous have been divided into two Areas, each with its own Delegate. (See "Conference Structure" section.) *AI-Anon/Alateen World Service Manual 2014-2017 Pg. 132*
- The Area Assembly is the business meeting where the groups send their representatives to express a voice and vote on behalf of the group. During an Assembly, the Delegate reports the activities of the World Service Conference. *AL-Anon/Alateen World Service Manual 2014-2017 Pg. 65*

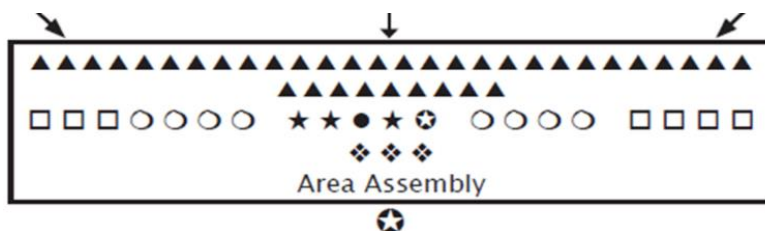
B. Tradition Two

For our group purpose, there is but one authority—a loving God as He may express Himself in our group conscience. Our leaders are but trusted servants—they do not govern.

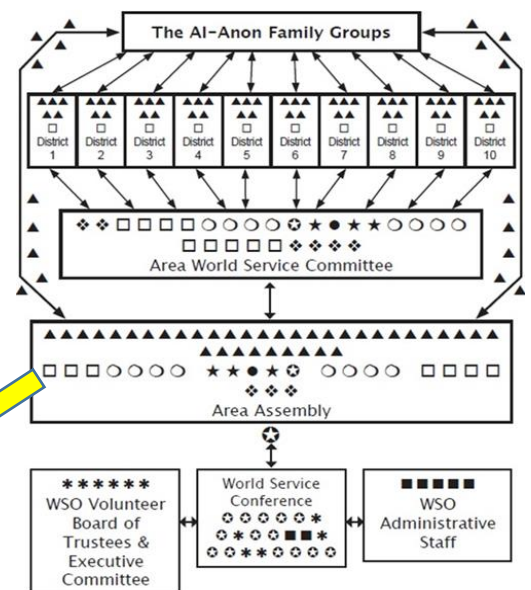
- As in our Groups and Districts, the **Area Business Meeting** is where the **Group Conscience** is decided
- **Group Business Meetings** are held to share information and to include all group members in the activities and concerns of the group. Decisions a group makes are determined by an informed group conscience. *AI-Anon/Alateen World Service Manual 2014-2017 Pg. 52*
- **The Group Conscience** is the result of the group's business meeting discussions. The group conscience is the will of the group. *AI-Anon/Alateen World Service Manual 2014-2017 Pg. 52*

2. AREA ASSEMBLY-WHO ATTENDS

- ▲ Group Representative
- District Representative
- ★ Assembly Officer
- Chair Person
- ☆ Delegate
- Area Coordinator
- ❖ AI-Anon Information Service Liaison



WORLD SERVICE CONFERENCE STRUCTURE



- ▲ Group Representative
- District Representative
- ★ Assembly Officer
- Chairman
- ☆ Delegate
- Area Coordinator
- ❖ AI-Anon Information Service Liaison

The Area World Service Committee may also include Coordinators of special services such as Alateen, Archives, Public Outreach (PI, CPC, and Institutions), Newsletter Editors, The Forum, etc., and liaison members (from local Information Service centers or Intergroups)



2. AREA ASSEMBLY-WHO ATTENDS-Continued

A. Concept One

The ultimate responsibility and authority for Al-Anon World Services belongs to the Al-Anon Groups

B. Missouri Al-Anon/Alateen Procedure Handbook pg. 7

Each Al-Anon and Alateen group that is registered with the World Service Office (WSO) is eligible for voting at Assemblies. A vote may be cast by the Group Representative or Alternate Group Representative who is present at the Assembly. Voting by proxy is not allowed. 11/10

▲ Group Representative-Only GRs Have Vote

Assembly Officers

- **Area Chair Person**-Lynn Carruth-Rasmussen-area31chair@gmail.com
 - Creates the Agenda with help of other officers and trusted Al-Anon Servants.
 - Chairs the Assembly
- ★ **Delegate**-Panel-57 Delegate Sarah Smith-area31delegate@gmail.com
 - Delegate's report on Conference and/or recent communications from WSO
- ★ **Area Secretary**- Karen Guittar-area31afgsecretary@gmail.com
 - Approval of Assembly minutes-takes minutes
- ★ **Area Treasurer**-Lori Hassler-area31afgtreasurer@gmail.com
 - Treasurer's report-handles money
- ★ **Area Alternate Delegate**- Sue Kieffer-area31altdelegate@gmail.com
 - Alternate Delegate Report-Training

Who Else Attends?

- **District Representatives**
- **Area Coordinators**
- ❖ **AIS Liaisons**
 - All of the above will give reports.
- △ **Any Member of the Missouri Area**
 - All Al-Anon Members present have Voice.

3. AREA ASSEMBLY-VOTING AND VOICE

- All Al-Anon Members present have Voice.
- Only GRs Have Vote.
- Use KBDM-Knowledge Based Decision Making.
- Issues will be discussed-may not result in a motion.
- Motions will be presented prior to Assembly or can be brought to the floor.

A. Missouri Al-Anon/Alateen Procedures Digest pg. 7

All motions and important decisions will be reached by discussion, vote, and substantial unanimity. Substantial unanimity will be 2/3 vote of eligible voters attending. 11/05



4. AREA ASSEMBLY- VOICE

A. Tradition Two

For our group purpose, there is but one authority—a loving God as He may express Himself in our group conscience. Our leaders are but trusted servants—they do not govern

B. Al-Anon Suggested Closing

“Talk to each other reason things out.”

C. Discussion-Every Al-Anon Member has Voice

- Discussion is held regarding all issues
- Discussion is held regarding a proposed motion.
- Training, Open Forums and open mic time opportunities are given.
- All Al-Anon Members present have voice

D. Guidelines for Using Your Voice Respectfully

- You must use the microphone to participate in the discussion.
- Time will be limited to 2-3 minutes at the mic.
- Stay on topic.
- When discussing motions or issues if someone before you says what you were going to say sit down.
- Don't forget to be polite and courteous.

E. Guidelines for Listening Respectfully

- Be aware people may be passionate about some subjects and we must listen to them respectfully.
- Please turn your cell phone off and avoid texting.
- Please refrain from clapping, booing or cheering as everyone's voice deserves to be given equal respect and courtesy. Goal is to reason things out not debate or campaign.
- Limit side conversation.
- Don't forget to be polite and courteous.

5. AREA ASSEMBLY- WHO VOTES

A. Missouri Al-Anon/Alateen Procedure Handbook pg. 7

Each Al-Anon and Alateen group that is registered with the World Service Office (WSO) is eligible for voting at Assemblies. A vote may be cast by the Group Representative or Alternate Group Representative who is present at the Assembly. Voting by proxy is not allowed. 11/10

B. Al-Anon/Alateen World Service Manual pgs. 82 & 126

Tradition Five defines Al-Anon's single purpose. Tradition Six encourages cooperation with Alcoholics Anonymous, maintaining that Al-Anon is a separate entity that ought never affiliate or create the appearance of affiliation with any outside enterprise. Putting these principles into practice maintains a separation between the service structures of Al-Anon and A.A. ...Al-Anon's policy is that members who are also members of A.A. do not serve as Group Representative (GR), District Representative (DR), Area Delegate, World Service Conference member, alternate to any of these service positions, or on any committee of the World Service Office.



6. AREA ASSEMBLY- HOW WE VOTE-BLOC VOTING

The purpose of Bloc voting is to group items with little or no opposition together in order to save time. Each motion is read and members have an opportunity to hold a motion for further discussion. The motions which were not held are then voted in a Bloc.

A. BLOC VOTING-HOLDING A MOTION

- Each motion is read by the Chair
- You have Three choices at that time
 1. Call HOLD if you would vote NO.
 2. Call HOLD if previous discussion or information left unanswered questions that prohibit you from making an informed decision.
 3. Stay SILENT if you would vote YES on motion or intend to vote YES or NO on all the motions.
- All the motions that are not held will be voted in as a Bloc. Your vote of YES or NO will apply to all the motions in that Bloc.

B. IF A MOTION IS HELD-

- The person who HELD the motion will approach the Mic and open discussion with one of the following
 - The reason they oppose the motion.
 - Asking for more information to unanswered question.
 - Opening the discussion with information or an opinion that was not previously discussed.
- After further discussion, the motion can be
 - Voted on calling for those opposed and those in favor.
 - Withdrawn
 - Amended or changed
 - Sent back to committee

7. AREA ASSEMBLY- FINAL THOUGHTS

- **Trust the Process**
- **Get a Service Sponsor and stay in touch during Assembly**
- **Your District Representative and fellow GRs are a resource-reach out**
- **Don't be afraid to ask questions**
- **If you are a GR you are here to serve your Group. If you must leave early be sure to have an alternate.**
- **Don't forget to have fun**